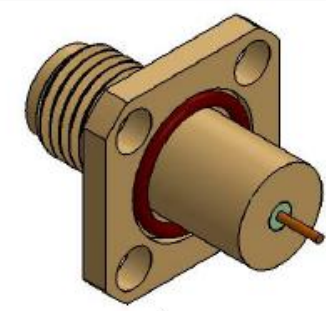


RJ-13A-104R-00



MATERIALS:

- SST, CORROSION-RESISTANT, NON MAGNETIC 303, PER ASTM A484 AND A582
- BERYLLIUM COPPER PER ASTM-B-196, QQ-C-530
- PIPE
- SILICONE RUBBER

FINISH:

- CENTER CONDUCTOR: GOLD OVER NICKEL
- BODY: GOLD OVER NICKEL
- PRESS SLEEVE: GOLD OVER NICKEL

PERFORMANCE:

- FREQUENCY: DC-18GHz
- VSWR: 1.15 TO 18GHz
- INSERTION LOSS: .05 SQT(F(GHZ)) DB
- OPERATING TEMP: -55°C TO 165°C
- IMPEDANCE: 50Ohms

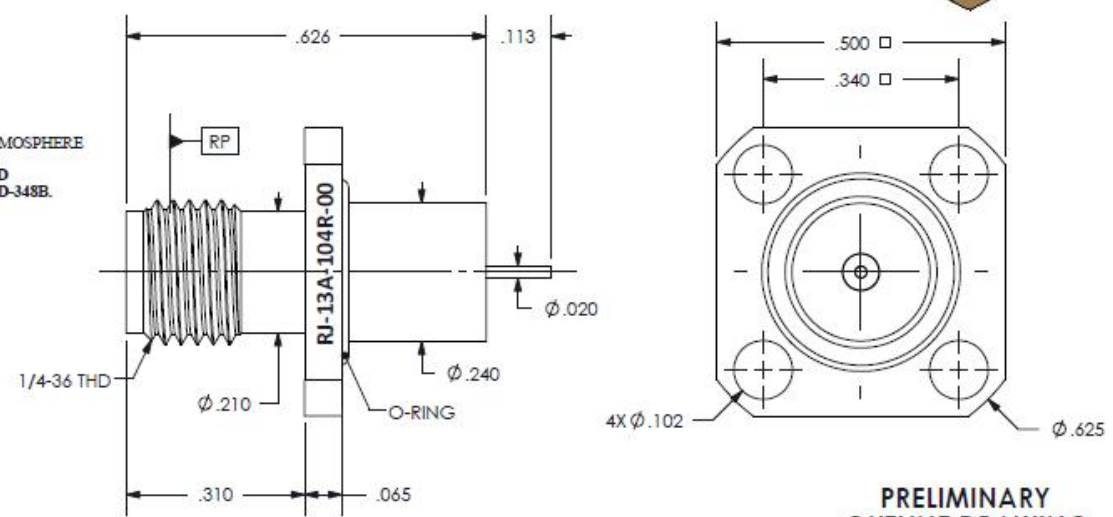
MECHANICAL:

- CONNECTOR DURABILITY: 500 CYCLES MINIMUM
- COUPLING NUT MATING TORQUE: 8-10 INCH lbs

HERMITICITY

- SHALL PASS NO MORE THAN 1×10^{-6} CC/SEC HE AT 1 ATMOSPHERE

CONNECTOR MEETS GENERAL ELECTRICAL, MECHANICAL AND ENVIRONMENTAL REQUIREMENTS OF MIL-C-39012 AND MIL-STD-348B.



PRELIMINARY
OUTLINE DRAWING

PROPRIETARY INFORMATION

THE INFORMATION CONTAINED IN THIS DOCUMENT SHALL NOT BE DUPLICATED OR DISTRIBUTED WITHOUT WRITTEN PERMISSION

FROM:
AROZ ELECTRONICS LLC
1030 Cheyenne Drive
Gilroy 95020 CA
Email - info@aroelectronics.com

THIS LAYOUT IS CONCEPTUAL ONLY AND IS SUBJECT TO FINAL DRAWING.

LTR	DESCRIPTION	DATE	APPR.	DRAWN LMW	CHECKED	USED ON RJ-13A-104R-00	AROZ ELECTRONICS LLC
-	REL	11/15		APPR.	SCALE		
				UNLESS OTHERWISE SPECIFIED: 1. REMOVE ALL BURRS 2. BREAK ALL CORNERS & EDGES .005 R. MAX 3. CHAMFER 1st & LAST THREADS 45° 4. SURFACE FINISHED 32 UNLESS OTHERWISE SPECIFIED. 5. DIAMETERS ON COMMON CENTERS TO BE CONCENTRIC WITHIN .002 T.I.R. 6. ALL DIMENSIONS ARE AFTER PLATING.		MATERIAL SEE NOTES	TITLE: SMA JACK HERMETIC FLANGE MOUNT
				DIMENSIONS ARE IN INCHES TOLERANCES		FINISH SEE NOTES	
				DECIMALS X ± .030 XX ± .010 XXX ± .005	FRACTIONAL ± 1/64	ANGULAR X° ± 1'0 X°X ± 15'	
				SIZE A	FSCM NO. OHM01	SHEET 1	DWG. NO. RJ-13A-104R-00